



Signs of Winter

Mini Catalogue - Winter 2022

With the change in seasons we are now seeing the start of colder, darker, and wetter days and we are looking to help you prepare for the additional risks and hazards that brings. We have put together a range of products you may find useful over the coming Autumn and Winter months as temperatures begin to plummet.

Warning Safety Signs

Slip and trip accidents increase during the Winter season for a number of reasons: less daylight, leaves on paths become wet and slippery, cold weather causes ice and snow to build up on paths. There are effective actions that you can take to reduce the risk of a slip or trip. Regardless of the size of your site, always ensure that regularly used walkways are promptly tackled.



1 4223 **EM**
2 4223 **EM**

1 4229 **EM**
2 4229 **EM**

1 4287 **A**
2 4287 **A**

1 4275 **EM**

1 4330 **EM**



1 4483 **G**
2 4483 **G**



1 4207 **GMEKP**
2 4207 **G**



1 4213 **GMP**
2 4213 **GMP**
8 4213 **G**

Floor Graphic
400 x 600mm
5 8824

Self-Standing Floor Signs

Polypropylene - 300 x 600mm - Double Sided Warning - Foldable, Waterproof, Durable and Compact



5 8516

5 8517

5 8515

5 8546

5 8549



Hazard Warning Cones

Pre-printed PVC hazard warning cones are ideal for marking hazardous areas. Custom messages can be printed on both styles of cone.

Slippery Surface
Height: 500mm
Shape: Round
5 7980

Floor Cleaning
Height: 500mm
Shape: Round
5 7981

Custom Message
Height: 500mm
Shape: Round
5 7995

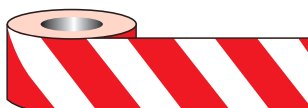
Wet Floor
Height: 500mm
Shape: Triangular
5 7982

Custom Message
Height: 500mm
Shape: Triangular
5 7996



Barrier Tape

Heavy duty, non adhesive polyethylene barrier tape creates an instant, high visibility cordon.



70mm x 500m
5 8620



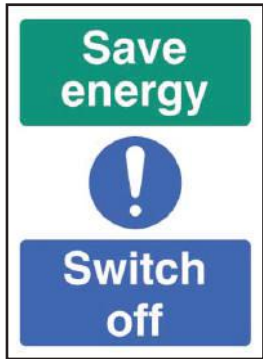
70mm x 500m
5 8621



75mm x 250m
5 8622

Energy Saving Signs

With the current cost of living crisis many of us will have had the conversation at home reminding partners and children to turn off after themselves. Businesses are feeling the effect too and our range of energy saving signs can help reinforce the message to staff and visitors in an attempt to save on energy bills.



2 6036 **A**
8 6036 **A**



1 6628 **A**
2 6628 **A**



1 6629 **A**
2 6629 **A**



1 6622 **A**
2 6622 **A**



1 6621 **A**
2 6621 **A**
8 6621 **A**



1 6620 **A**
2 6620 **A**
8 6620 **A**



Mental Health & Wellbeing

As winter draws in, we can all admit that it makes us feel a little down and miserable. Seasonal Affective Disorder is a type of depression that affects 10% of the population. We shouldn't underestimate the effect winter can have on the way we feel both physically and mentally. This range of posters helps raise awareness of mental health and general wellbeing amongst employees in the workplace. Produced on tough, durable, wipe clean synthetic paper they are easy to roll up for storage but will not tear or delaminate. Suitable for both internal and external use.



Synthetic Paper
420 x 594mm
5 7098



Synthetic Paper
420 x 594mm
5 7099



Synthetic Paper
420 x 594mm
5 7097



Synthetic Paper
420 x 594mm
5 7100

Traffic Signs



Class RA1
600mm **5 8207**
750mm **5 8206**



Class RA1 *Fig. 554
600mm **5 8073**
750mm **5 7922**



Class RA1 *Fig. 557
600mm **5 8074**
750mm **5 7923**



Class RA1 *Fig. 562
600mm **5 8071**
750mm **5 7920**



Class RA1
600 x 450mm **5 8205**
1050 x 750mm **5 8204**



Class RA1 *Fig. 7010.1
600 x 450mm **5 7956**
1050 x 750mm **5 7907**



Class RA1 *Fig. 7010.1
600 x 450mm **5 7957**
1050 x 750mm **5 7908**



Class RA1 *Fig. 511
600 x 450mm **5 7966**
1050 x 750mm **5 7917**

Manufactured using engineering grade (Class RA1) reflective sheeting applied on to 20/22 gauge Zintec plate. These signs are durable and rust resistant. An ideal solution for temporary traffic signs.



Class RA1 *Fig. 2702
600 x 450mm **5 7953**
1050 x 750mm **5 7904**



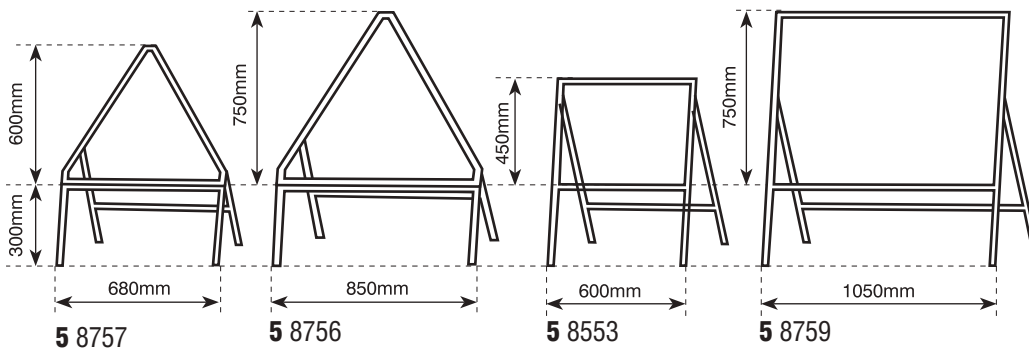
Class RA1 *Fig. 2702
600 x 450mm **5 7954**
1050 x 750mm **5 7905**



Class RA1 *Fig. 2702
600 x 450mm **5 7955**
1050 x 750mm **5 7906**

Traffic Sign Frames

Grey zinc painted steel frames include a 300mm ground clearance to meet UK regulations.



Road Frame Clip

Zinc plated clip for use with road sign frames to secure signs in place



5 8755

Sand Bags

These sandbags are ideal for more demanding uses such as flood protection and as ballast for stabilising road signs, temporary traffic lights etc. They are treated to protect them against ultra violet light, giving them a longer life span when exposed to the sun.

This type of heavy duty bag is designed for multiple re-use so has long term cost benefits.

Pack of 50 - Supplied Empty - Unfilled Dimensions - 340 x 560mm - Fillable to 15kg - **5 8690**



Driving Safety

Snow and ice can make driving extremely dangerous so taking the necessary precautions can go a long way to improving safety on the roads. During periods of poor weather, it is even more important to ensure you carry out pre-drive inspections on vehicles. Braking down, being caught without screen wash or having illegal tread depth on your tyres, could prove life threatening in wintry conditions.

With our easy-to-use, walk-through checklist it only takes a short time to ensure that a vehicle is safe to operate. Not only will it provide protection for the company and driver, but it also reinforces strong safety awareness at management level.

Vehicle Inspection Book

Contains 25 individual checklists relating to vehicle components and mechanical checks to be completed before the car or van is driven. Includes duplicate carbon copies.

25 Vehicle Inspections: **5 1306**



Vehicle Inspection Poster

Reinforce the importance of pre-use inspections on vehicles with this safety poster. Designed in order to provide strong visual reminders to employees and highlight components included in the Good to Go Safety vehicle inspection check book. A perfect addition to your safe equipment management systems.



Synthetic Paper
420 x 594mm
5 1387

Weekly Vehicle Inspection Kit

The weekly inspection kit provides you with everything you require to carry out fifty inspections (ideal for one year of weekly inspections).



1 Status Tag, 100 Tamper Seals, Wallet & Pen and 50 Vehicle Inspections: **5 1328**

Daily Vehicle Inspection Kit

The daily inspection kit provides you with everything required to carry out 275 inspections (ideal for one year of daily inspections).

*based on a five day working week



2 Status Tags, 300 Tamper Seals, Wallet & Pen and 275 Vehicle Inspections: **5 1329**

Cone Barriers



Connects cones together to cordon off areas utilising 3.65 metres of retractable, high visibility chevron webbing. Fits over the top of most standard traffic cones. This low cost and flexible solution ensures safety and ease of use.

Chevron Webbing - 150mm x 3.65m
Cones not included
5 7983

Traffic Cones



Available in 3 sizes, can be stacked to save space. Manufactured from recycled materials. Supplied complete with a reflective sleeve. Conform to BS EN 13422:2004

500mm **5 7663** 750mm **5 7664** 1000mm **5 7665**

Warning Triangle



High visibility collapsible warning triangle for warning road users of hazards. Supplied in a storage case.

In case: 460 x 160 x 35mm
Erected: 440 x 30 x 400mm
5 7799

Car Park & Site Traffic Signs

Keeping company premises/car parks clear of snow/ice by gritting or providing covered walkways and highlighting safe pedestrian routes can go a long way to keeping a business operational. These signs can be used with the frames on page 4.



1 7590



1 7570



1 7617
6 7617



1 7609
6 7609



1 7529



1 7592
7 7592



1 7106
2 7106



1 7796

Rigid Plastic, 600 x 450mm Sign and Road Frame & Clips
5 7796

Ice Detector Signs

Reduce the risk involved with costly slip and fall accidents on your property by installing our Ice Detector Signs. These Ice Detector signs are an early warning system that can be used in any outdoor area, including car parks, railway stations, depots, roads, hospitals, retail locations, airports, walkways and outdoor workplaces. These signs incorporate a temperature sensitive blue reflector, which gradually revolves into sight when the temperature reaches 2°C and by -1°C is in full view. It requires no power and is virtually maintenance free.

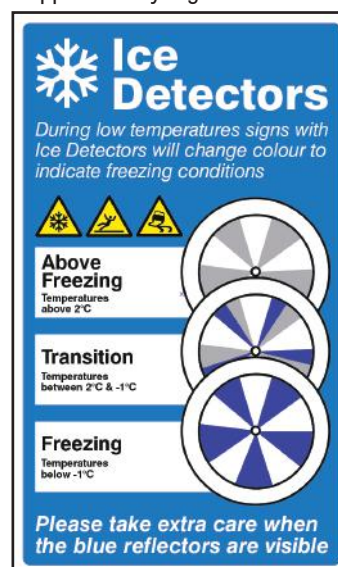


300 x 500mm
3mm Aluminium Composite
5 8197



300 x 500mm
3mm Aluminium Composite
5 8198

Supplementary Sign



300 x 500mm
3mm Aluminium Composite
Does not include ice detector
5 8199



Cleaning Equipment

Our shadow boards are supplied complete with equipment. Perfect for clearing snow and water at entrance points to buildings.

<p>Cleaning Station Clean equipment and return to station after use</p> <p>Includes: 1 x Mop 1 x Broom 1 x Dustpan 1 x 12L Bucket 1 x Dustpan Brush 1 x Wet Floor Sign</p> <p>10mm Foam PVC 600 x 2000mm 5 5971</p>	<p>Cleaning Station Clean equipment and return to station after use</p> <p>Includes: 1 x Broom 1 x Dustpan 1 x Dustpan Brush 1 x Shovel 1 x Wet Floor Sign</p> <p>10mm Foam PVC 600 x 2000mm 5 5972</p>	<p>Cleaning Station Clean equipment and return to station after use</p> <p>Includes: 1 x Mop 1 x Broom 1 x Squeegee 1 x Dustpan 1 x Dustpan Brush 1 x 12L Bucket 1 x Wet Floor Sign</p> <p>10mm Foam PVC 750 x 2000mm 5 5983</p>	<p>Cleaning Station Clean equipment and return to station after use</p> <p>Includes: 1 x Mop 1 x Broom 1 x Shovel 1 x Squeegee 1 x Dustpan 1 x 12L Bucket 1 x Dustpan Brush 1 x Wet Floor Sign</p> <p>10mm Foam PVC 1220 x 1800mm 5 5984</p>
--	--	---	---

Cleaning Equipment

<p>Broom Head Polypropylene & Polyester Fill 285 x 56mm 5 5962</p>	<p>Handle This universal handle can be used on our mop, broom and squeegee heads</p>	<p>Shovel Polypropylene shock and crack resistant shovel. Strong, light and easily cleaned.</p>
<p>Dustpan Polypropylene 330 x 203mm 5 5959</p>	<p>Top</p> <p>Base</p> <p>Aluminium with Polypropylene Grip 1195 x 23mm Dia 5 5961</p>	<p>Polypropylene 320 x 260mm 1150mm Height 5 5965</p>
<p>Dustpan Brush Polypropylene & Polyester Fill 280 x 35mm 5 5960</p>	<p>Mop Head 200g Yarn 5 5963</p>	
<p>Squeegee 600mm Polypropylene Blade 5 5974</p>		
<p>Mop Bucket Polypropylene 285 x 370mm 12 Litre 5 5964</p>		

Hanging Equipment

<p>Medium Hanger for Hanging Rail Fits 20-30mm Dia 83 x 86mm 5 5956</p>	<p>Plastic Hook for Hanging Rail 55 x 70mm 5 5958</p>
<p>Large Hanger for Hanging Rail Fits 30-40mm Dia 77 x 86mm 5 5957</p>	<p>Metal Hook for Magnetic Rail 20 x 100mm 5 5968</p>
<p>Magnetic Rail 300 x 35mm 5 5966</p>	<p>Magnetic Rail 380 x 45mm 5 5967</p>
<p>Channelled Hanging Rail Aluminium with Blue End Cap 515 x 55mm (Hooks not included) 5 5955</p>	<p>Equipment Hanging Bracket Black Polypropylene Plastic 53 x 58 x 78mm Fix to wall with screws (not included) 5 5933</p>

Hygiene Signs

The winter months can often see an increase in absenteeism due to ill health, ranging from the common cold to flu and depression. Encouraging good hygiene practices within the workplace can help prevent the spread of germs.



1 5424 G
2 5424 G



1 5418 GM
2 5418 GM



1 5408 GME
2 5408 GM
8 5408 GA



1 1090 G
2 1090 G



1 8476 HK
2 8476 HK



1 8472 HK
2 8472 HK



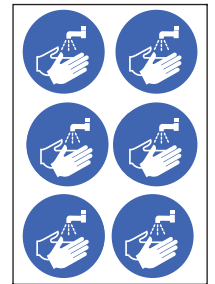
1 8473 HK
2 8473 HK



1 5602 E
2 5602 EK



2 5503 E



6 x Adhesive Labels
65mm Diameter
5 1654



1 8256 HK
2 8256 HK



2 5502 E



2 5501 E



Synthetic Paper
420 x 594mm
5 5917



1 8479 K
2 8479 K



1 8477 HK
2 8477 HK



1 1269 HK
2 1269 HK



1 8585 HK
2 8585 HK



1 8572 HK
2 8572 HK



1 8573 HK
2 8573 HK



1 8471 HK
2 8471 HK



1 8414 H
2 8414 H



Synthetic Paper
420 x 594mm
5 5000

How to Order

Each product within this mini catalogue has its own unique product code. To help you to understand the meaning of the code and identify the size and materials available please follow the guidance below:

Step 1

When you find the sign you require, use the **BOLD NUMBERS** (at the start of the code) and using the material grid below find out which materials are available for your chosen sign design.

Step 2

Once you've chosen the required material, choose the required size using the **LETTERS** (at the end of the code). Our sizes always read as width x height (WxH). Use the grid below to identify the available size options for your sign of choice.

Step 3

Phone, email or fax us with your order. Orders placed before 2.30pm will be despatched for next working day delivery.

Material Codes	Landscape Sizes		Portrait Sizes	
1 Rigid Plastic	A 100 x 75mm	L 450 x 150mm	A 75 x 100mm	L 150 x 450mm
2 Self Adhesive Vinyl	B 80 x 80mm	M 600 x 200mm	B 80 x 80mm	M 200 x 600mm
3 Photoluminescent Rigid Plastic	C 150 x 150mm	N 400 x 400mm	C 150 x 150mm	N 400 x 400mm
4 Photoluminescent Self Adhesive	D 150 x 100mm	P 600 x 400mm	D 100 x 150mm	P 400 x 600mm
5 Miscellaneous	E 200 x 150mm	Q 600 x 450mm	E 150 x 200mm	Q 450 x 600mm
6 Aluminium	F 200 x 200mm	S 200 x 75mm	F 200 x 200mm	S 75 x 200mm
7 2mm PET	G 300 x 100mm	U 100 x 100mm	G 100 x 300mm	U 100 x 100mm
8 Quick Fix	H 300 x 250mm	V 300 x 150mm	H 250 x 300mm	V 150 x 300mm
	J 400 x 200mm	W 900 x 600mm	J 200 x 400mm	W 600 x 900mm
	K 400 x 300mm	X 200 x 100mm	K 300 x 400mm	X 100 x 200mm

1. Rigid Plastic

Easily drilled, white, glossy, rigid PVC plastic. It's lightweight with high impact strength, suitable for internal & external use.

2. Self Adhesive Vinyl

High gloss, flexible PVC with self adhesive backing. Suitable for most smooth, dry and clean surfaces. Ideally suited for indoor and warehouse labelling.

6. Aluminium

Gloss white powder coated aluminium with excellent weathering and UV resistance. Suitable for both internal and external applications.

7. 2mm PET

A high quality, fire and vandal resistant, durable and recyclable material which makes it ideal for harsher environments.

8. Quick Fix

Glossy white rigid plastic with a self adhesive backing. Quick fix removes the need for drilling, screws or additional adhesive fixings.

5. Miscellaneous

Any product outside of our standard choice of material or size ranges. This includes items such as cones, barriers and posters.

Synthetic Paper

110gms high density polyethylene. A highly durable, recyclable, tear, water and grease resistant material which is ideal for eye catching posters.

Foam PVC

Available in 3mm, 5mm or 10mm. A bright white, lightweight and waterproof material which is easily drilled for fixing. Ideal for outdoor use such as site safety boards.

Floor Graphics

Sub-surface printed floor graphics overlaminated with a hard wearing, anti-slip polycarbonate film with an aggressive adhesive for bonding to most floor surfaces.

Other Materials

If you can't see the material you require, please contact our sales team and we will be happy to quote any sign in the material of your choice.

Can't find your sign of choice?
Let us know and we'll quote you for a bespoke design.